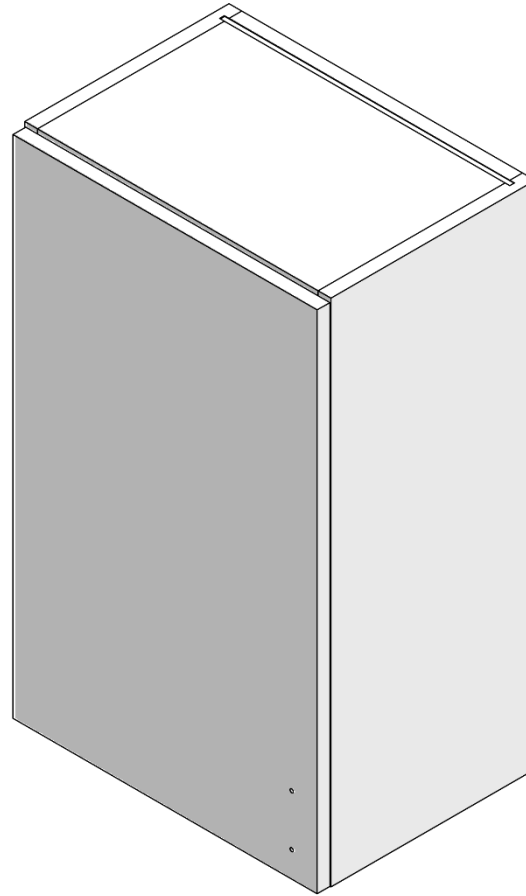


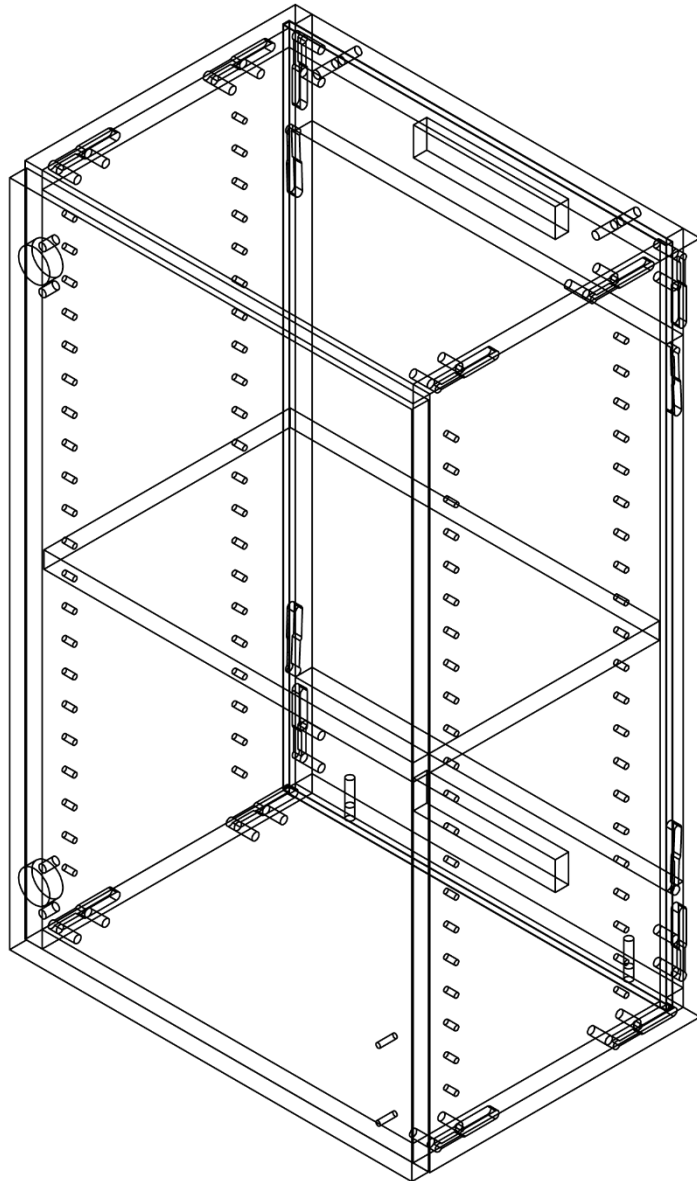
# Lockdowel Evaluation Kit

Channel Lock Upper Cabinet – September 2017 Construction



**WOODWORK  
INSTITUTE**  
**MIP** MILLWORK  
INDUSTRY  
PARTNER

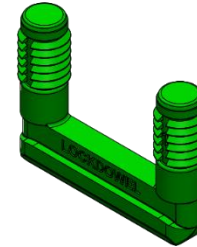
Equipped with  
**LOCKDOWEL™**  
the future of fastening is now



# Skeleton

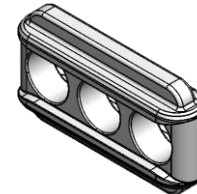
**Barbed Channel Lock (Plastic)**

**Qty: 12**



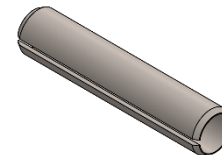
**Double-Headed Channel Lock (Metal)**

**Qty: 4**



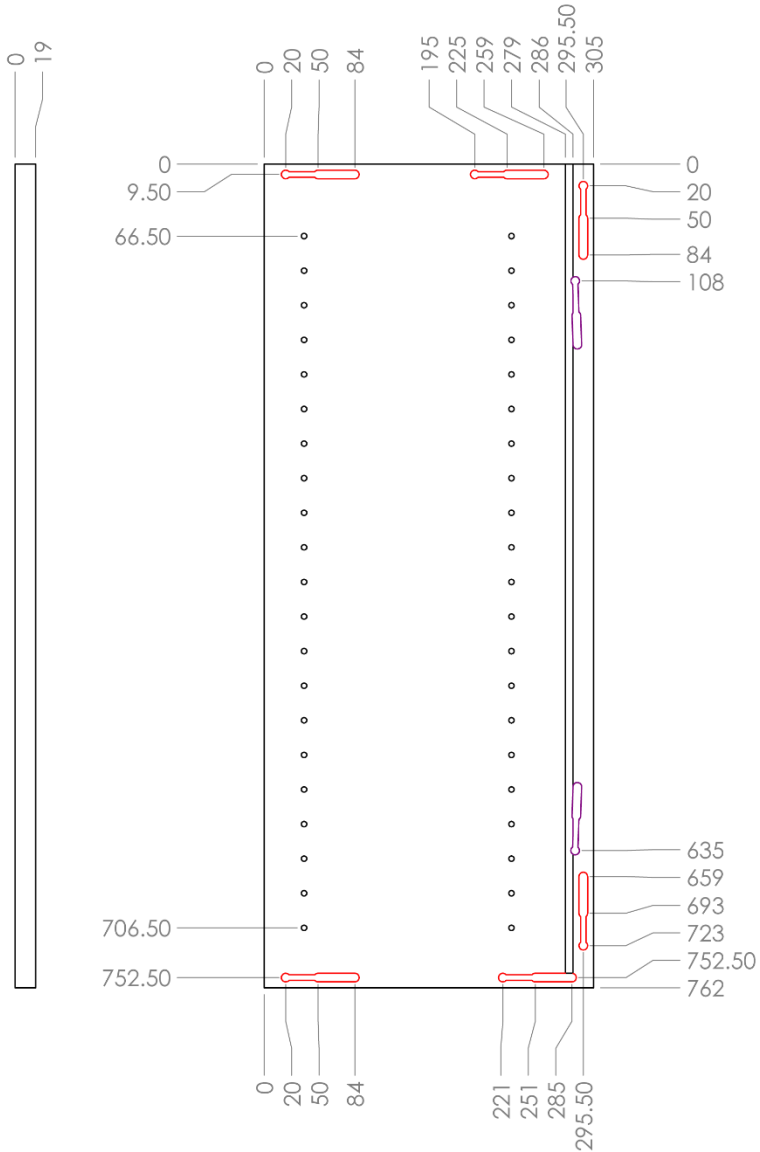
**8mm x 40mm Spring Pin**



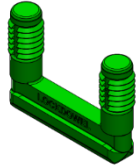


**Qty: 4**

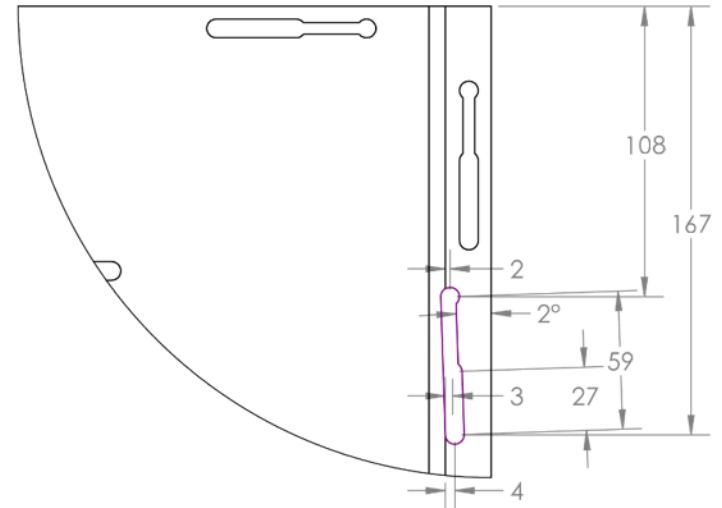


# End Panel

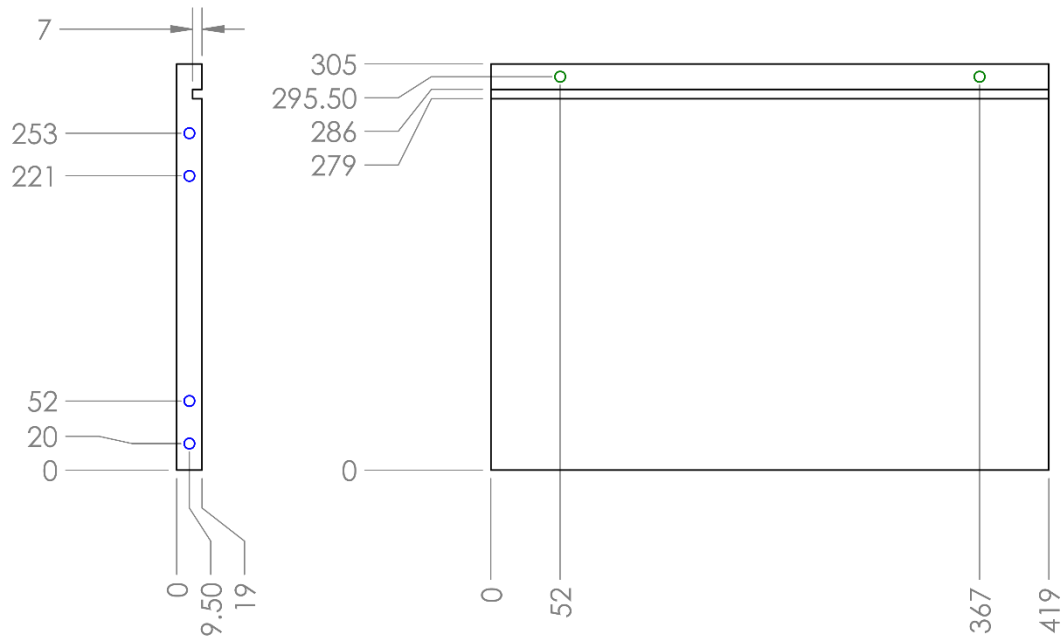
(Left End Shown – Right End Is Mirrored)

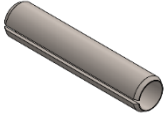
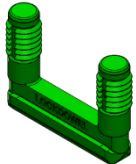


| Color   | Rout Specifications  | Fastener  |
|---|--|---|
|  | <p><b>Barbed Channel-Lock Routing Path (Incremental Mode)</b></p>  <p> <span style="color: red;">■</span> Plunge Cut: Z: -4.5mm   Slot Cut: X: -34mm   Retract: Z: 4.5mm<br/> <span style="color: blue;">■</span> Plunge Cut: Z: -9mm   Key Slot: X: -64mm   Retract: Z: 9mm<br/>                     (Allowable Depth Range is -9.00mm to -9.3mm)                 </p> |  |
|  | <p>Slots are Optional<br/>See Diagram Below</p>  |  |

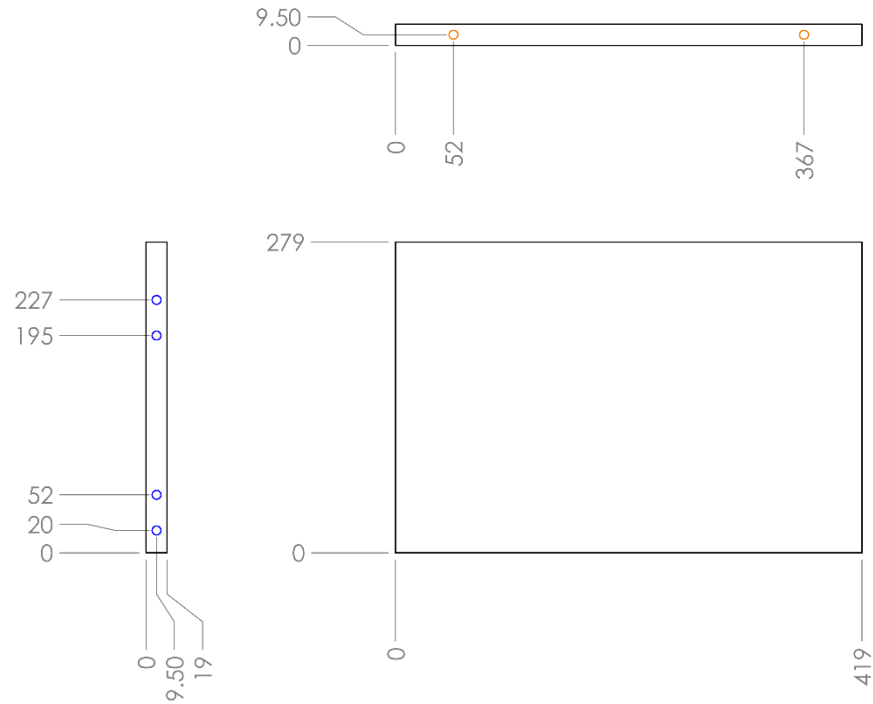


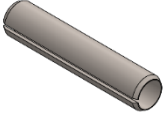
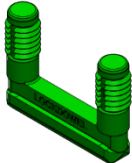
# Deck Panel



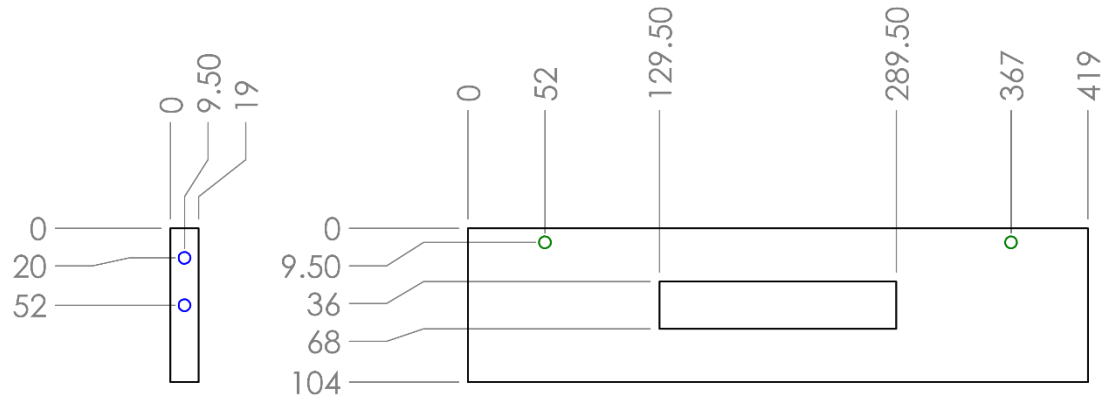
| Color | Hole Specifications | Fastener  |
|-------|---------------------|---|
| ○     | Ø8mm ↓13mm          |  |
| ○     | Ø8mm ↓21mm          |  |

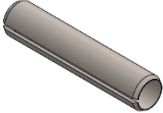
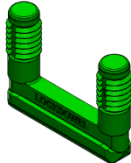
# Top Panel



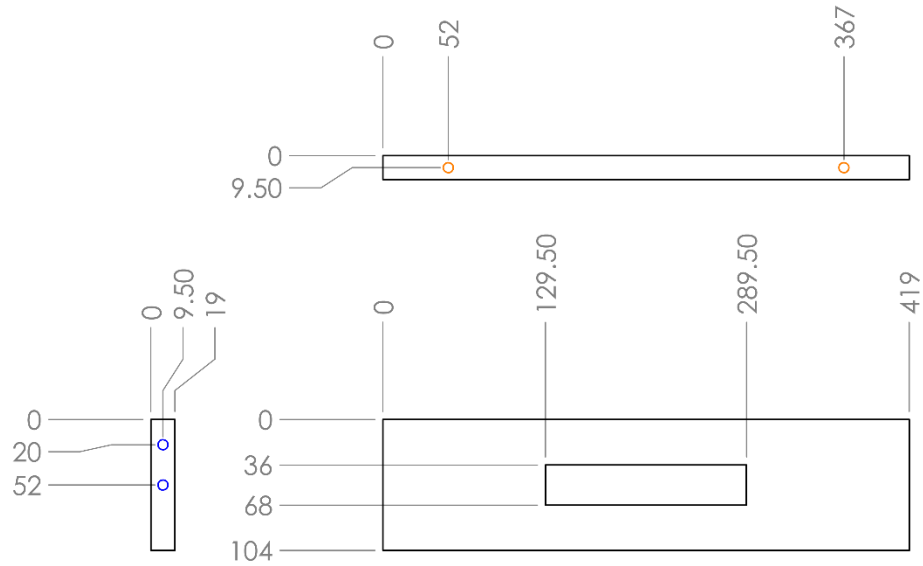
| Color | Hole Specifications | Fastener  |
|-------|---------------------|---|
| ○     | Ø8mm ↓27mm          |  |
| ○     | Ø8mm ↓21mm          |  |

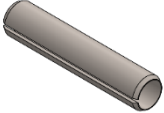
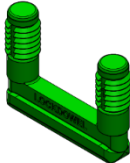
# Top Nailer Panel



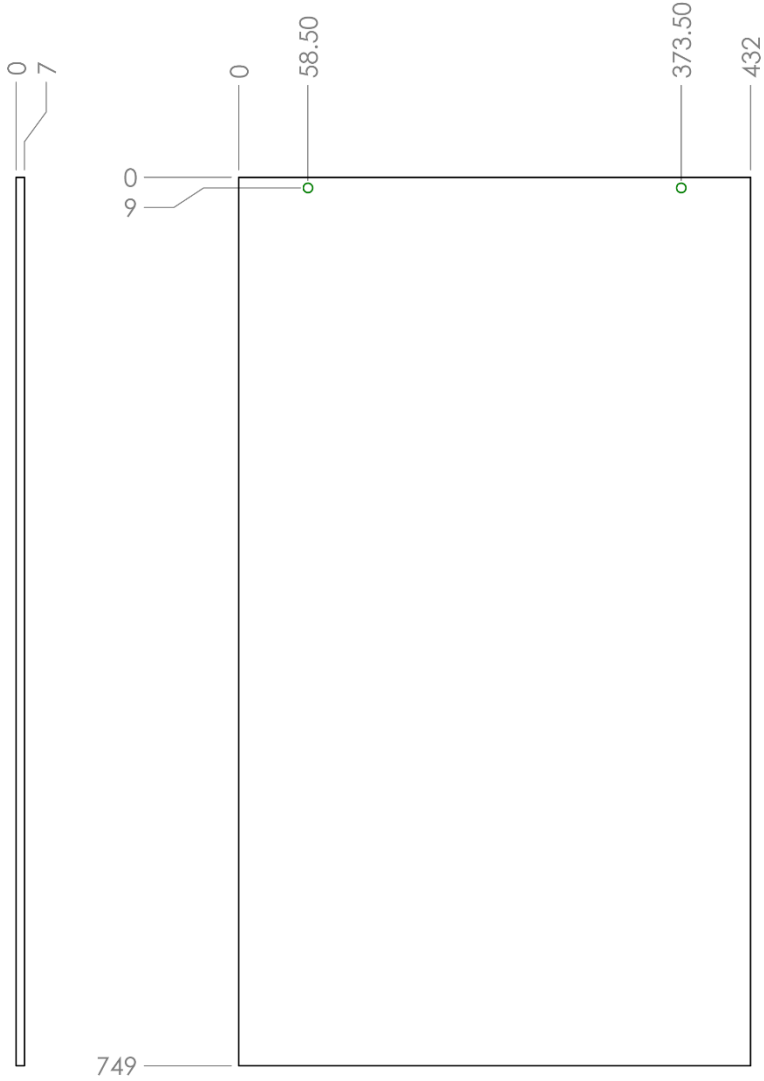
| Color    | Hole Specifications | Fastener  |
|----------|---------------------|---|
| <b>O</b> | Ø8mm ↓Thru          |  |
| <b>O</b> | Ø8mm ↓21mm          |  |

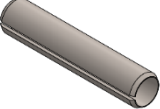
# Bottom Nailer Panel



| Color | Hole Specifications | Fastener  |
|-------|---------------------|---|
| ○     | ∅8mm ↓27mm          |  |
| ○     | ∅8mm ↓21mm          |  |

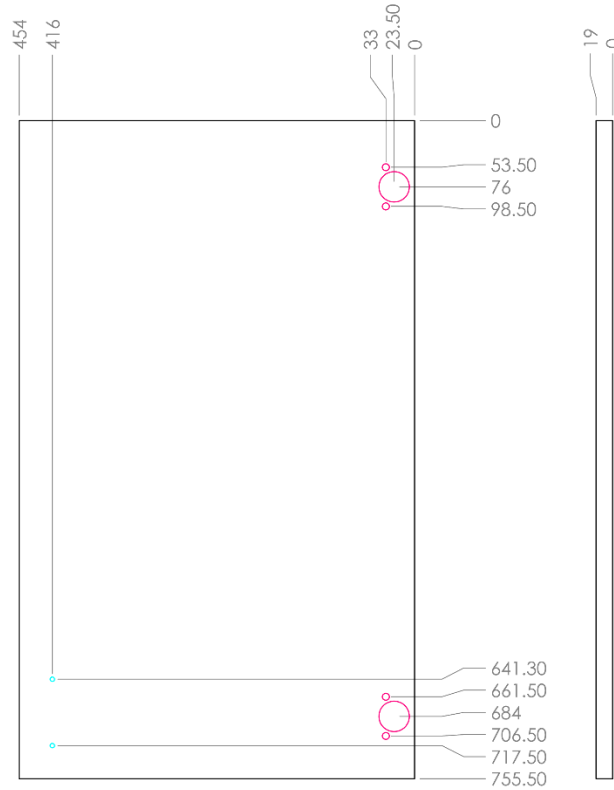
# Back Panel



| Color | Hole Specifications | Fastener  |
|-------|---------------------|---|
| O     | Ø8mm ↓Thru          |  |



# Door Panel



| Color | Hole Specifications   | Fastener   |
|-------|---|--|
| ○     | $\varnothing 8\text{mm} \downarrow 12\text{mm}$ (Barbs)<br>$\varnothing 35\text{mm} \downarrow 12\text{mm}$ (Cup) | Blum-Style Hinge Drilling<br>With 8mm Barbs<br>(Can be changed for other hinges) |
| ○     | $\varnothing 5\text{mm} \downarrow \text{Thru}$   | Door Pull  |