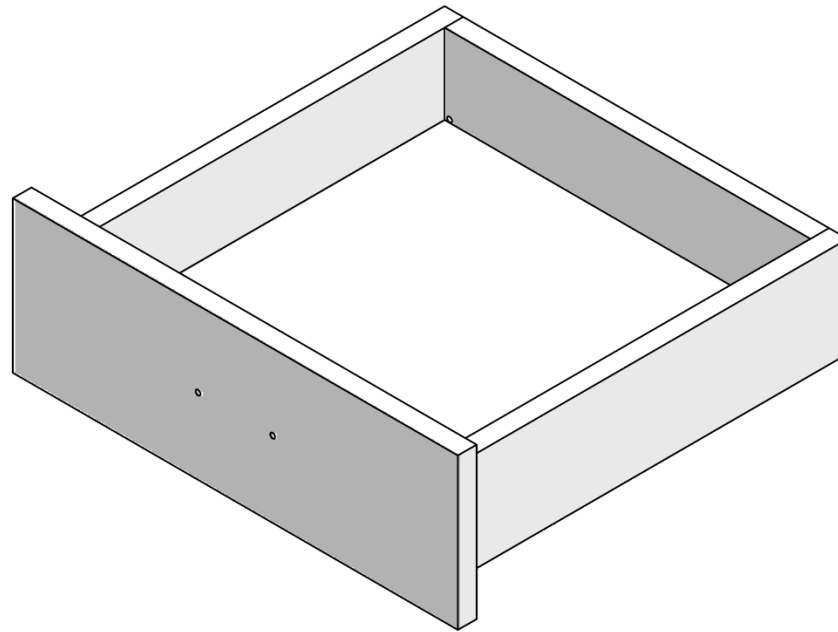
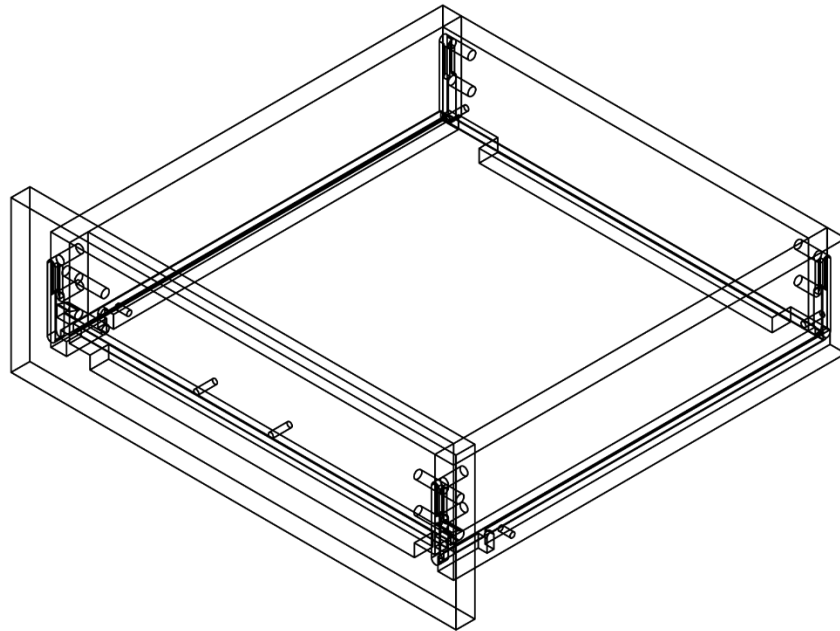


Lockdowel Evaluation Kit

5-Piece Drawer With Hinged Sub-Front



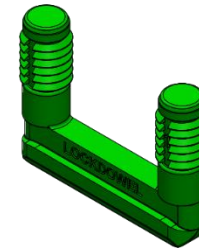
Equipped with
LOCKDOWEL™
the future of fastening is now



Drawer Skeleton

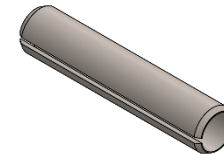
Barbed Channel Lock (Plastic)

Qty: 4

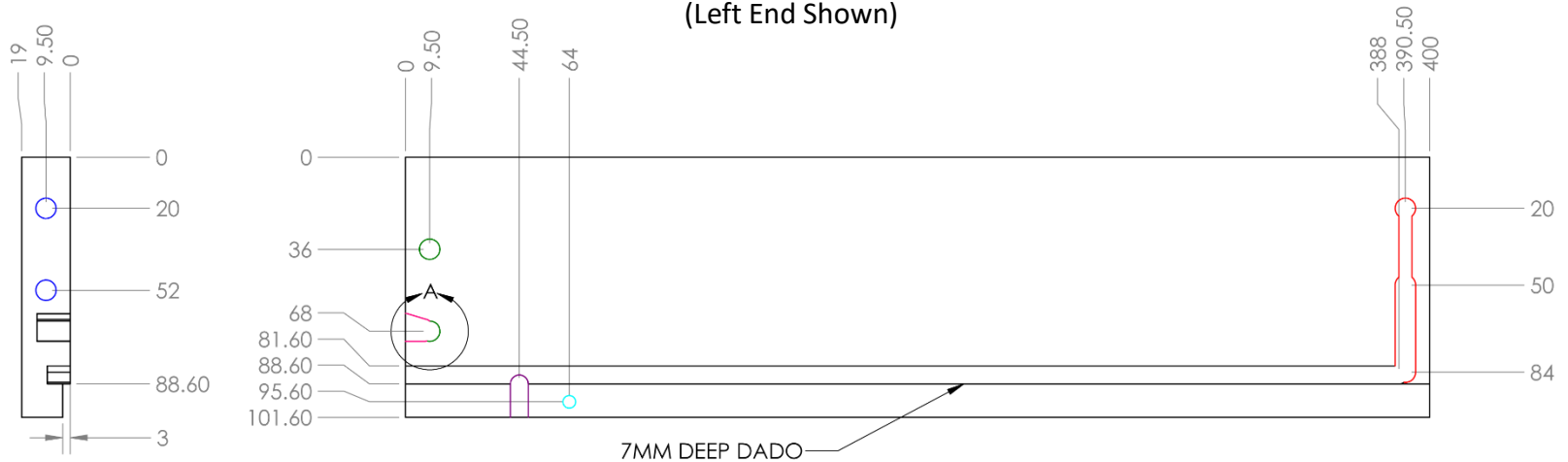


8mm x 40mm Spring Pin

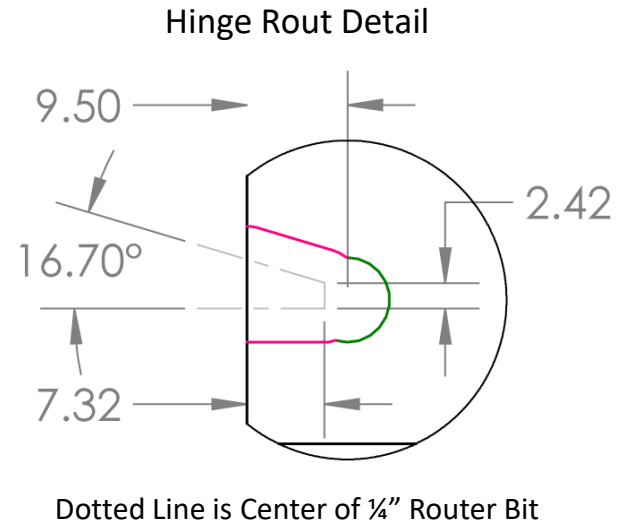
Qty: 4



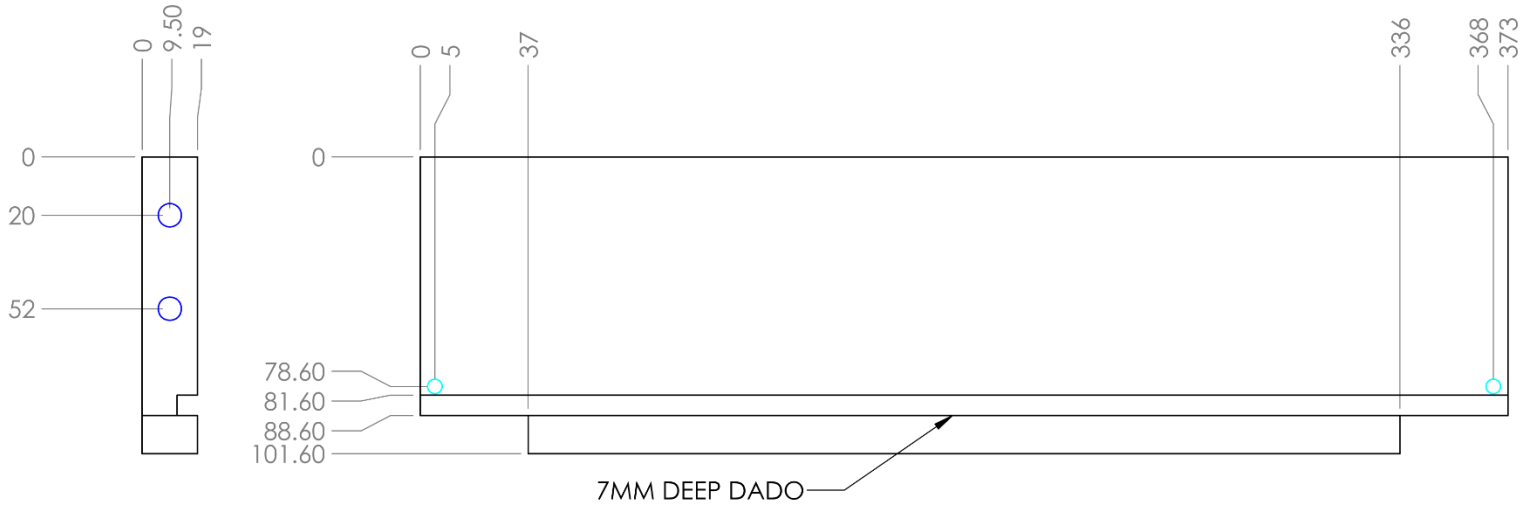
End Panels (Left End Shown)



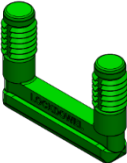


Color	Hole Specifications	Fastener/Hardware
	<p>Barbed Channel-Lock Routing Path (Incremental Mode)</p> <p> ■ Plunge Cut: Z: -4.5mm Slot Cut: X: -34mm Retract: Z: 4.5mm ■ Plunge Cut: Z: -9mm Key Slot: X: -64mm Retract: Z: 9mm (Allowable Depth Range is -9.00mm to -9.3mm) </p>	
	Ø8mm ↓21mm	
	Ø8mm ↓13mm	
	Ø6.35mm ↓11mm (Rout)	Drawer Slide Vertical Adjustment
	Ø5mm ↓9mm	Drawer Slide Locking Pin
	Ø6.35mm ↓13mm (See Detail)	Hinge Rout

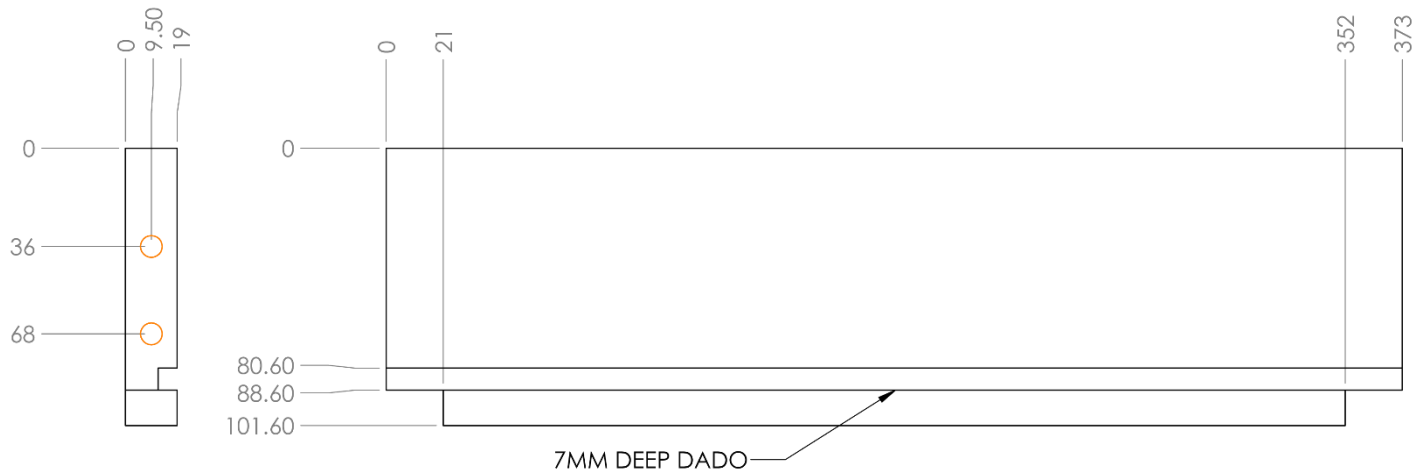


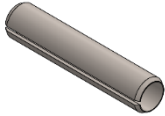
Drawer Back Panel



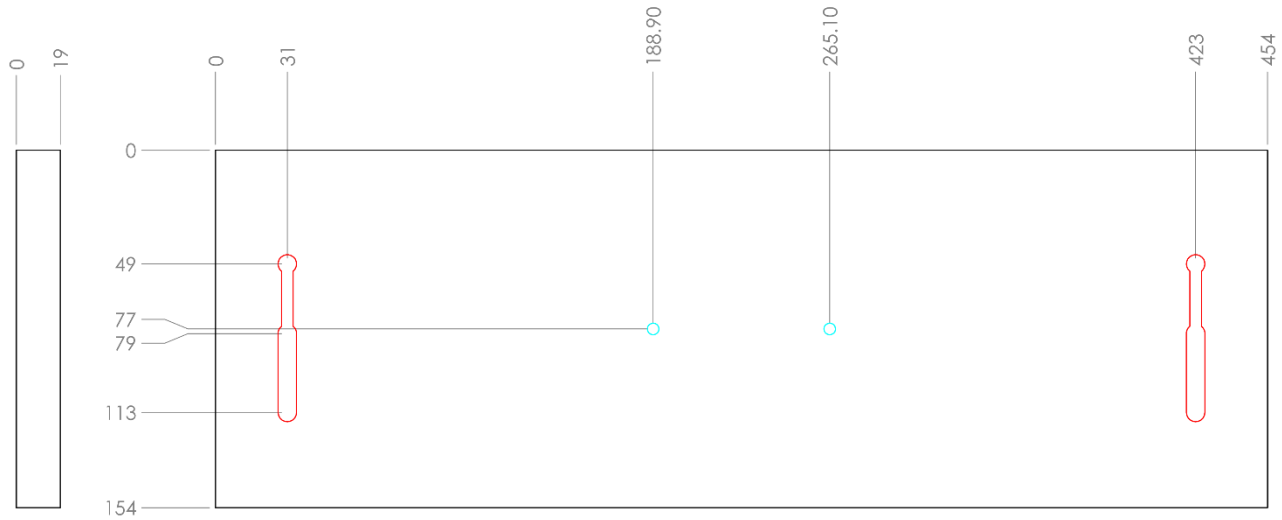
Color	Hole Specifications	Fastener
	Ø5mm ↓Thru	Drawer Slide Rear Hook
	Ø8mm ↓21mm	



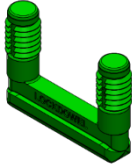

Drawer Sub-Front Panel



Color	Hole Specifications	Fastener
O	Ø8mm ↓27mm	

Drawer Slab Panel



Color	Hole Specifications	Fastener
	<p data-bbox="707 965 1016 1003">Barbed Channel-Lock Routing Path (Incremental Mode)</p>  <p data-bbox="620 1115 1103 1172"> ■ Plunge Cut: Z: -4.5mm Slot Cut: X: -34mm Retract: Z: 4.5mm ■ Plunge Cut: Z: -9mm Key Slot: X: -64mm Retract: Z: 9mm <small>(Allowable Depth Range is -9.00mm to -9.3mm)</small> </p>	
	<p data-bbox="768 1272 958 1308">Ø5mm ↓Thru</p>	<p data-bbox="1277 1272 1435 1308">Drawer Pull</p>

Drawer Bottom Panel

