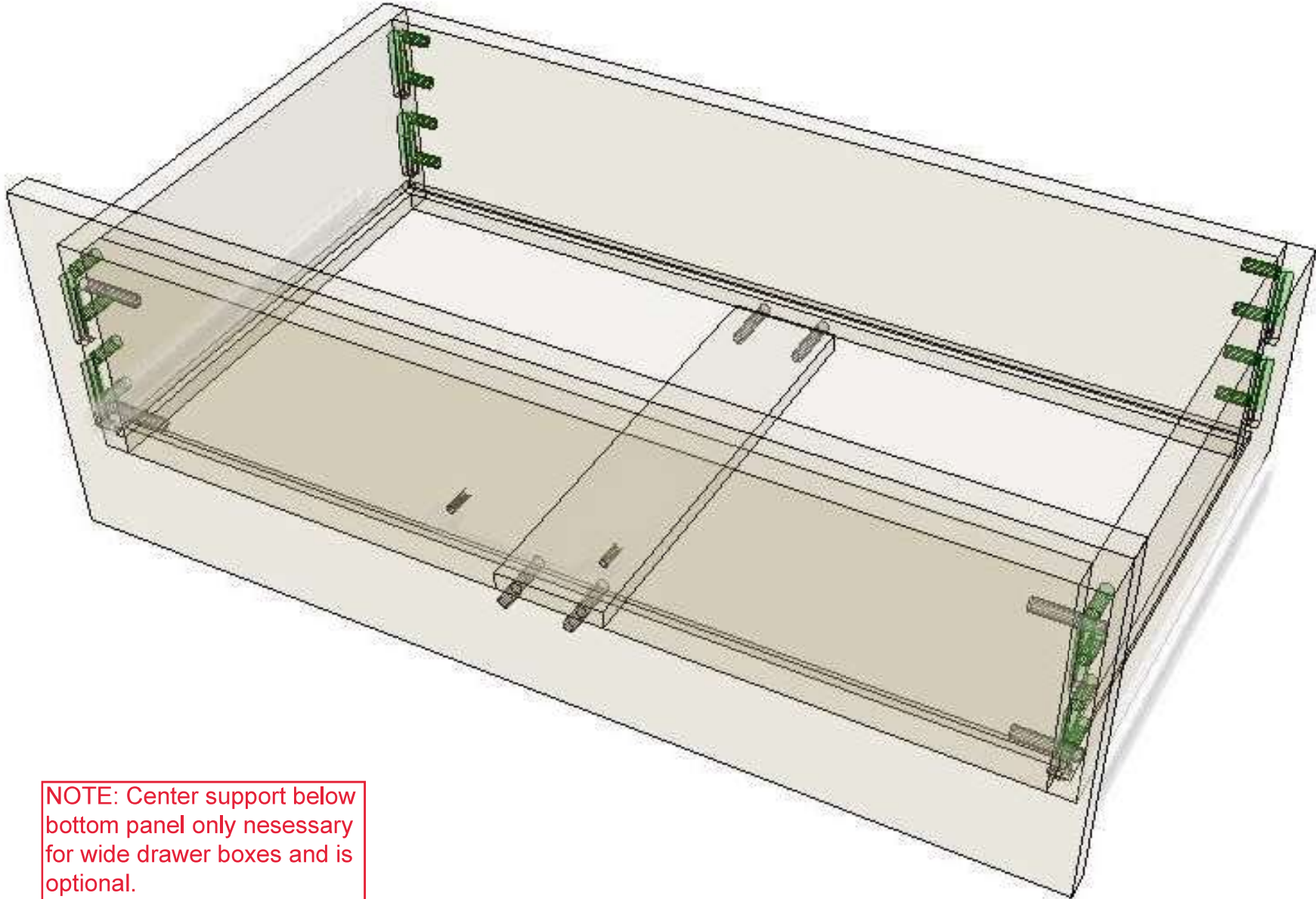
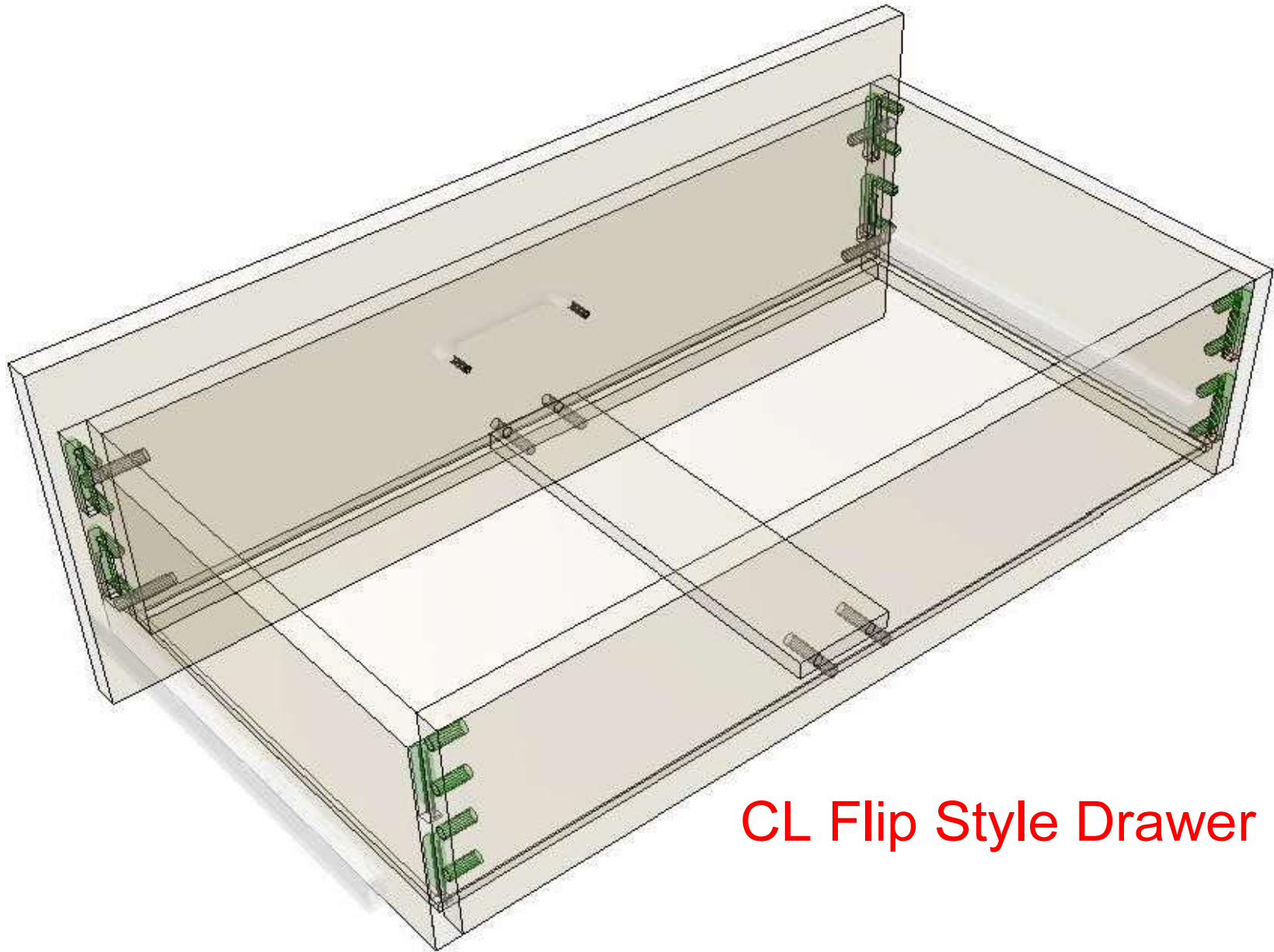


CL Flip Style Drawer Box



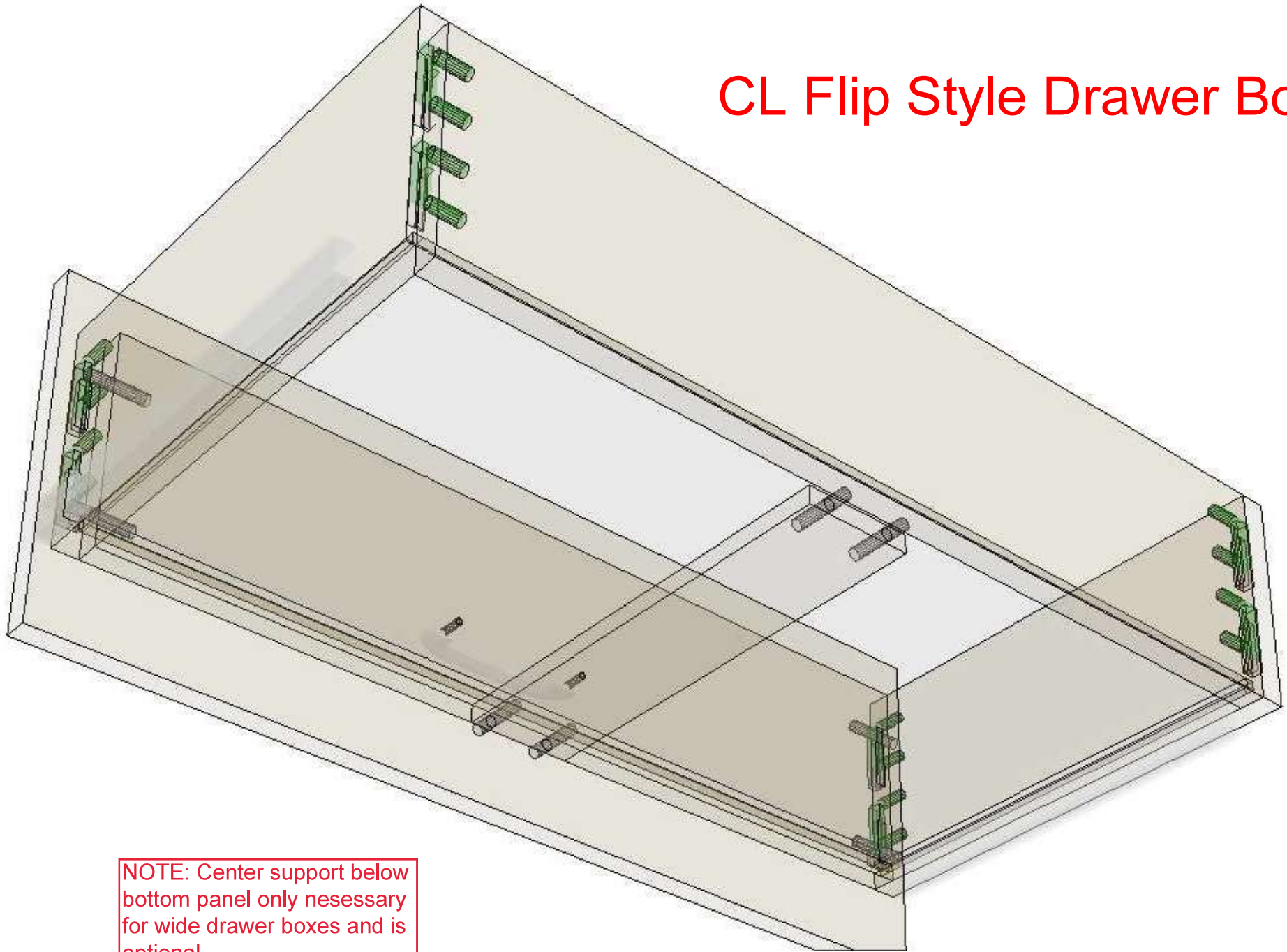
NOTE: Center support below bottom panel only necessary for wide drawer boxes and is optional.



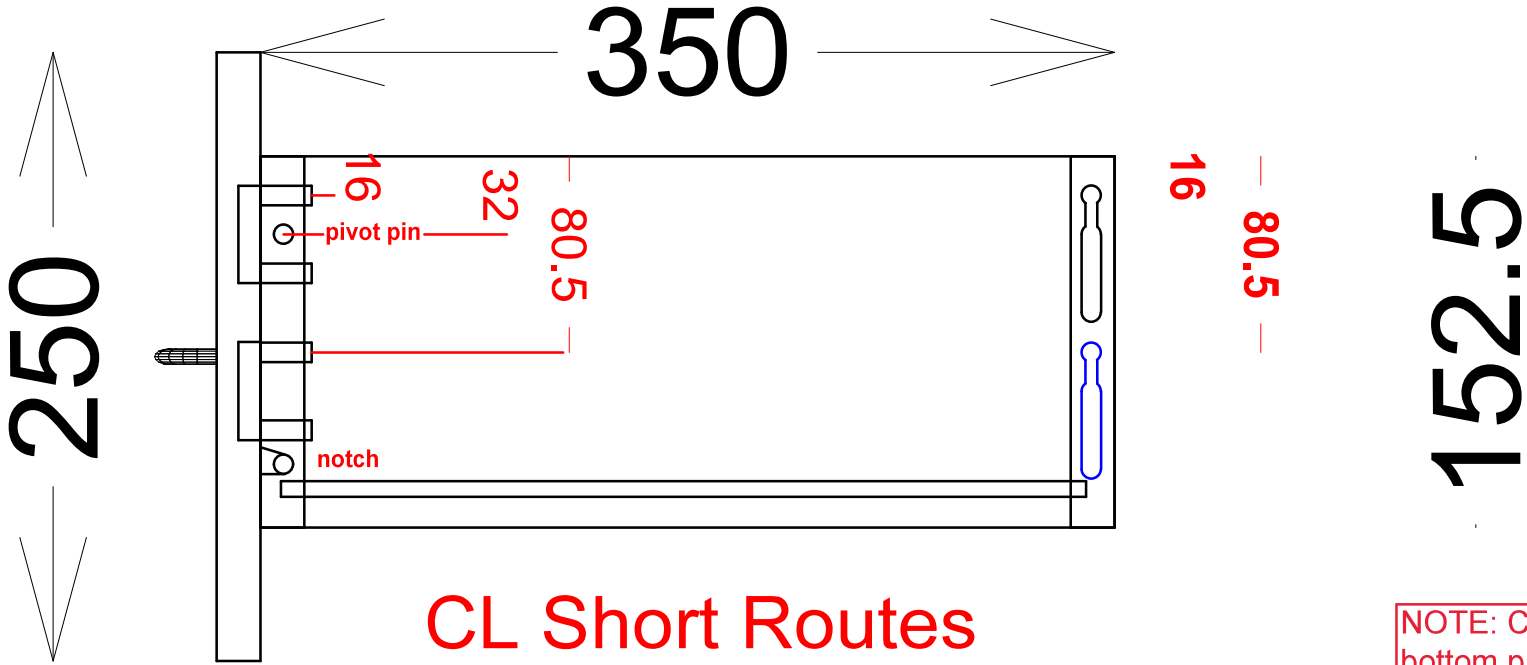
CL Flip Style Drawer Box

NOTE: Center support below bottom panel only necessary for wide drawer boxes and is optional.

CL Flip Style Drawer Box



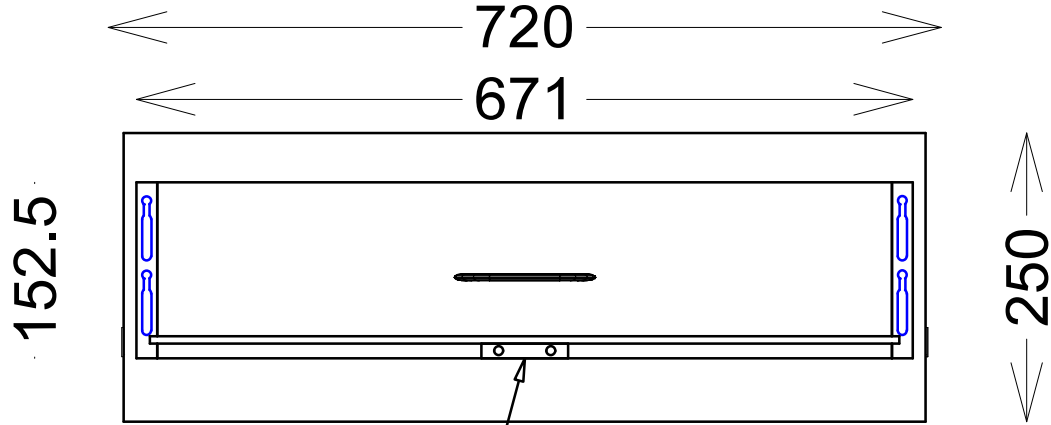
NOTE: Center support below bottom panel only necessary for wide drawer boxes and is optional.



**CL Short Routes
This Size**

CL Flip Front Drawer Box

NOTE: Center support below bottom panel only necessary for wide drawer boxes and is optional.



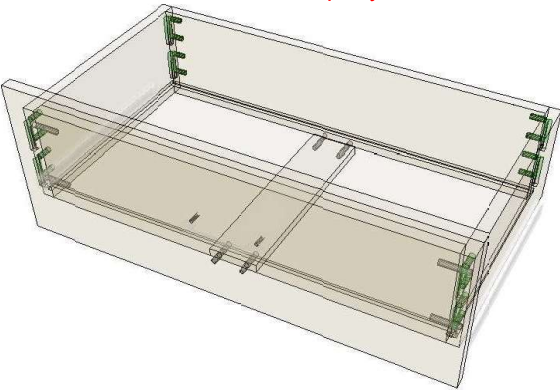
6" tall drawer, use modified short routes
solid 1/2" support with 8mm Spring pins, optional 5mm pins

Assembly #4 - CL Flip Drawer
 696.5 x 775 x 394.5 (1)

Drawer Fronts				
1	693.5	250	Slab	18mm Panel
Panel Stock				
1	648	330	Drawer Box Bottom	6.4mm Panel
1	152.5	350	Drawer Right Side	18mm Panel
1	152.5	350	Drawer Left Side	18mm Panel
1	152.5	635	Drawer Box Back	18mm Panel
1	152.5	635	Drawer Box Sub Front	18mm Panel
Hardware				
4	8	8		M 8x40 Spring Pin
1	6.5	122	Drawer Pull	4in C-Pull
8	40	8	Channelock	M Channelock - DWR
2	8	8	8x40 Spring Pin	M 8x40 Spring Pin
1	8	8	8x40 Spring Pin	LD 8mm Spring Pin-DWF
1	8	8	8x40 Spring Pin	LD 8mm Spring Pin-DWF
1 P	25.5	305	Drawer Guide	Blum 230M3000

NOTE: Center support below bottom panel only necessary for wide drawer boxes and is optional.

CL Flip Style Drawer Box



Assembly #4 - CL Flip Drawer				Job	
LD-CL Slide-In Back				Default	
L. Stile = 0	L. Scribe = 0	R. Stile = 0	R. Scribe = 0	Room #1 (Room 1) - Wall #1	
T. Scribe = 0	B. Scribe = 0				
Toe Height = 0	Toe Recess = 76				
Left End =	Right End =	Back =		Date: 20/07/22	