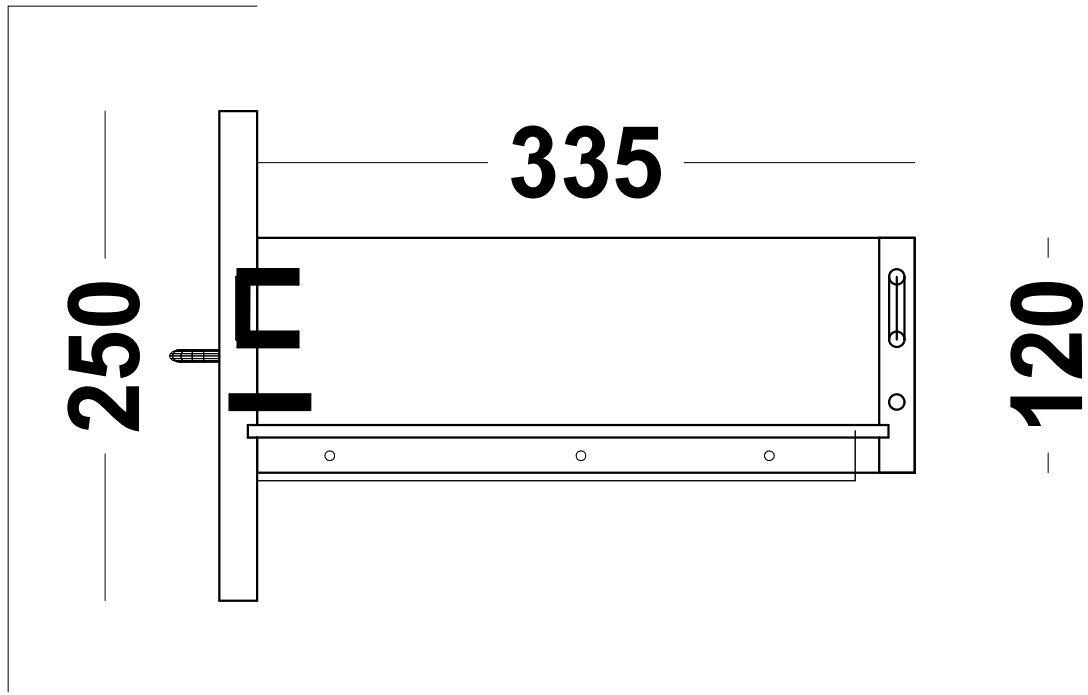
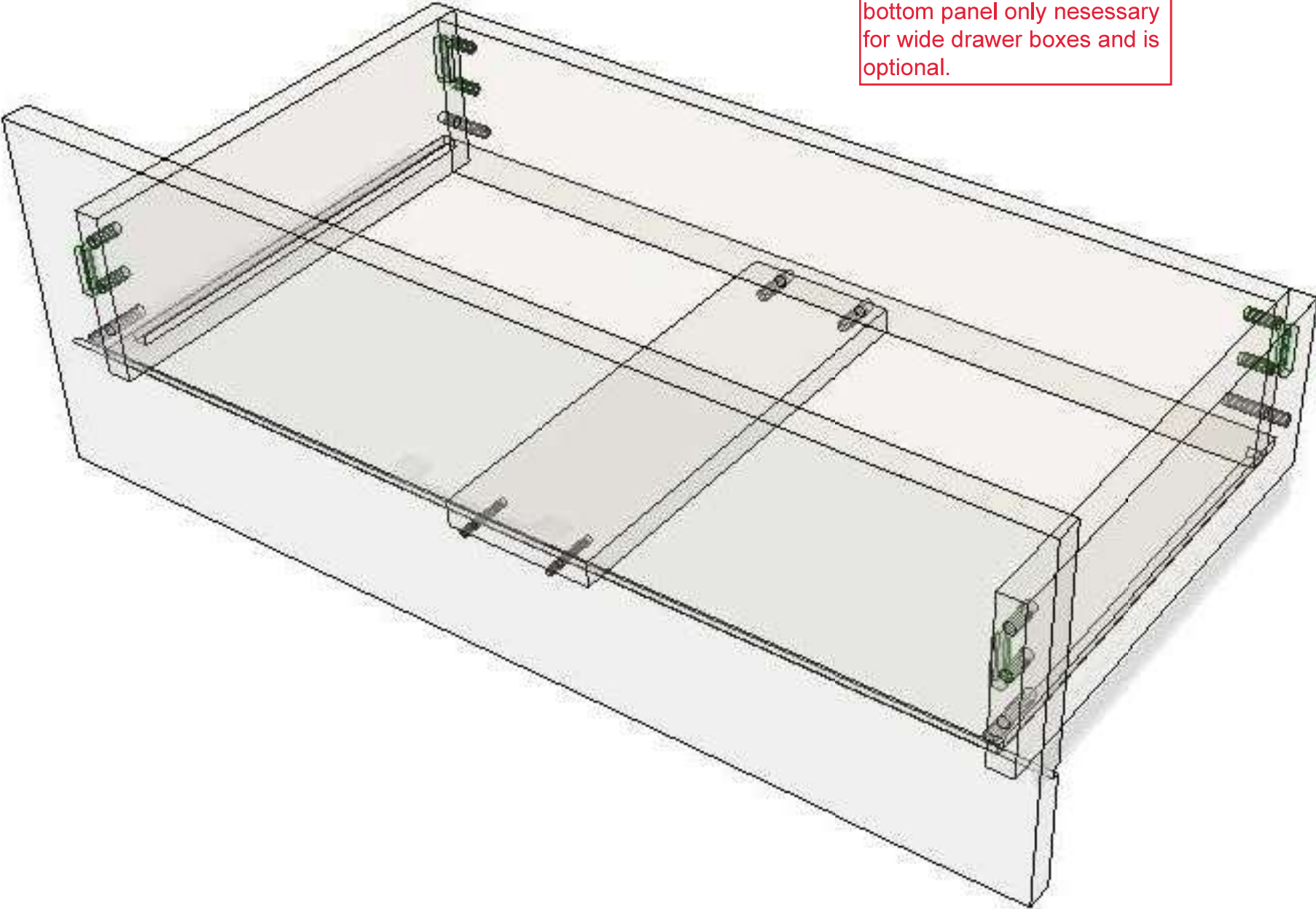
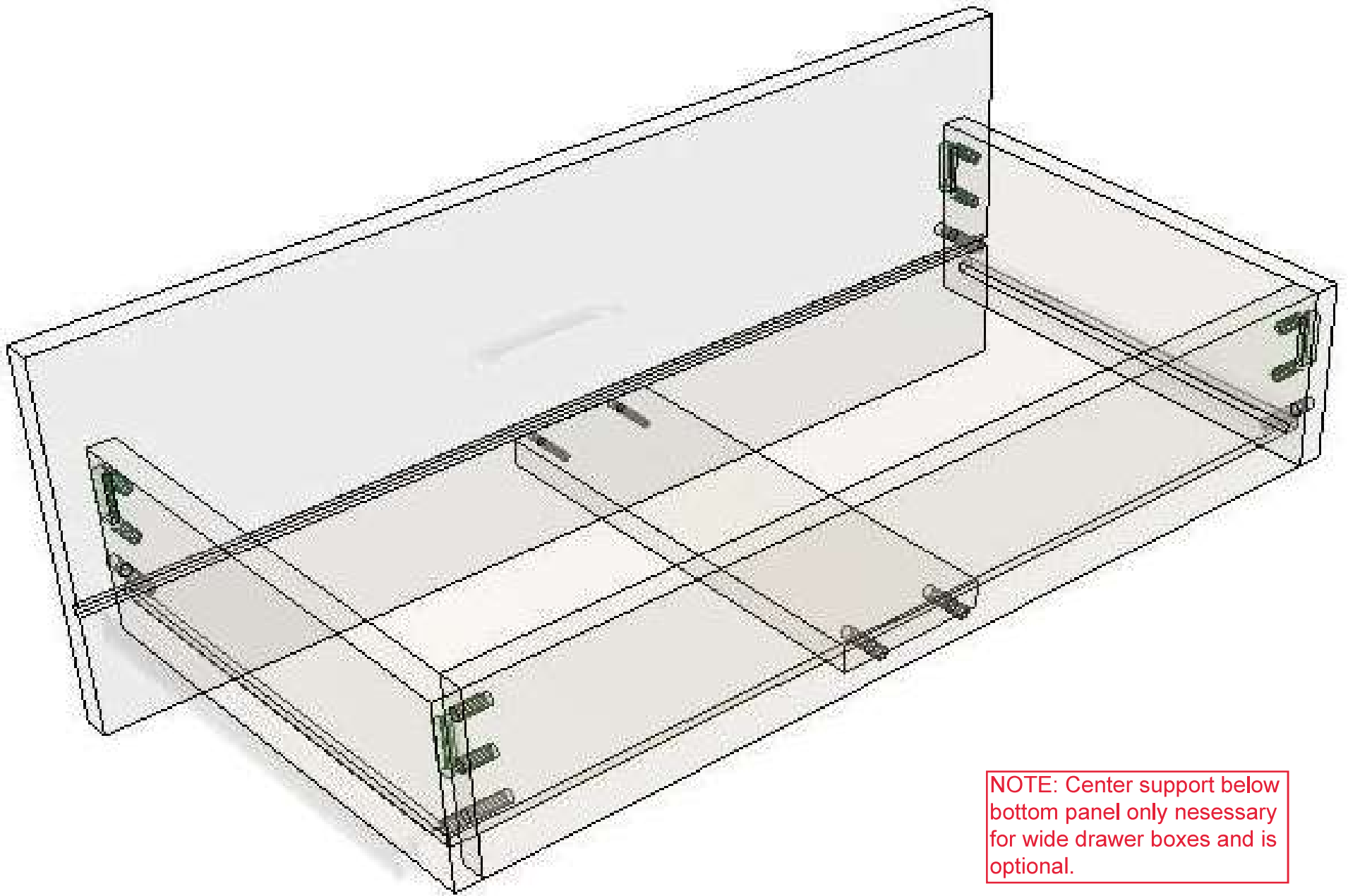


NOTE: Center support below bottom panel only necessary for wide drawer boxes and is optional.



NOTE: Center support below bottom panel only necessary for wide drawer boxes and is optional.





NOTE: Center support below bottom panel only necessary for wide drawer boxes and is optional.

## Assembly #0 - HClip Drawer Box

720 x 901.5 x 609.5 (1)

### Drawer Fronts

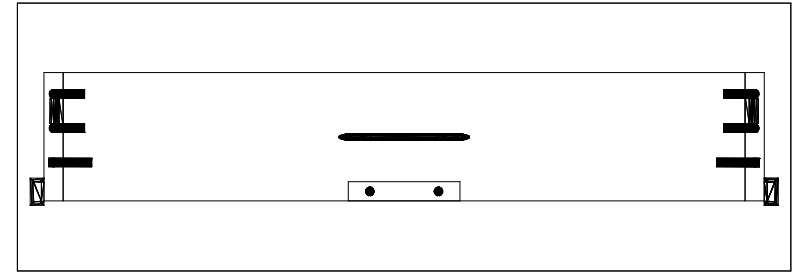
1	720	250	Slab	Melamine
---	-----	-----	------	----------

### Panel Stock

1	104	317	Bottom Drawer Support	18mm Panel
1	120	635	Drawer Box Back	18mm Panel
1	120	335	Drawer Right Side	18mm Panel
1	120	335	Drawer Left Side	18mm Panel
1	654	326.5	Drawer Box Bottom	6.4mm Panel

### Hardware

2	5	5		M 5x36 Spring Pin
2	8	8		M 8x30 Spring Pin
4	72	8		M HClip W/8mm Spring F
1	6.5	122	Drawer Pull	4in C-Pull
1 P	25.5	305	Drawer Guide	Blum 230M3000



NOTE: Center support below bottom panel only necessary for wide drawer boxes and is optional.

## Assembly #0 - HClip Drawer Box

LD-CL 3\_4 Full Back

L. Reveal = 0	R. Reveal = 0	T. Reveal = 0	B. Reveal = 0
T. Scribe = 0	B. Scribe = 0	H. Reveal = 0	V. Reveal = 0
Toe Height = 101.5	Toe Recess = 76		
Left End =	Right End =	Back =	

## Job

Default

Room #1 (Room 1) - Wall #1

Date: 05/22/23